



RTP-3280 Series



RTP-2260 Series

RTP Series

POS Printer

With its high speed printing, the RTP thermal printer is ideal for retail market with long queue at the cashier. 2" or 3", both with drop-in easy paper loading and dual interface.



Drop-in paper loading



Compact and stylish



Paper end / near end sensor



Dual Interface



Low noise thermal printing



203dpi @ 220mm / sec printing speed



Cutter life 1 Million cuts

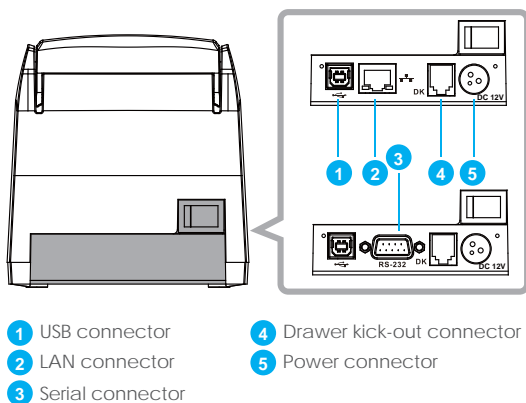


Specification

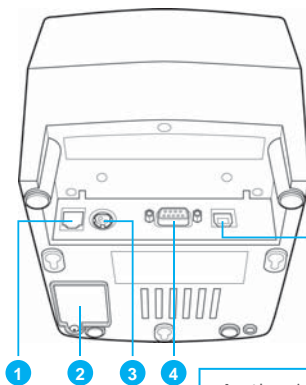
Model Name	RTP-2262	RTP-2264	RTP-3280	RTP-3284
Printing Method	Thermal line Printing			
Printing Resolution	203dpi			
Printing Speed	80 mm	180 mm	220 mm	200 mm
Command	ESC / POS			
Driver	Windows / OPOS / Linux / Android			
Alphanumeric (Font A)	Character Structure: 12 x 24 , Number of Columns: 48 columns , Character Size (WxH): 1.5 x 3.0mm			
Alphanumeric (Font B)	Character Structure: 9 x 17 , Number of Columns: 64 columns , Character Size (WxH): 1.1 x 2.1mm			
Chinese	Character Structure: 24 x 24 , Number of Columns: 24 columns , Character Size (WxH): 3.0 x 3.0 mm			
Fonts	KATAKANA, PC437, PC737, PC850, PC851, PC852, PC855, PC858, PC860, PC861, PC862, PC863, PC864, PC866, PC869, PC928, PC3843, PC3844, PC3845, PC3846 WPC1250, WPC1251, WPC1252, WPC1253, WPC1256, WPC1257, Thai, Korean, Traditional / Simplified Chinese (GB2312), Simplified Chinese (GB18030) Optional			
Bar Code	UPC-A/E, EAN8, EAN13, CODE39, CODE93, CODABAR, CODE128 ,ITF and QR Code			
Detectors	Paper end, Cover open, Overheat		Paper end/near end, cover open, cutter jam, overheat	
Paper Width	58 mm		80 mm	
Printing Width	48 mm		72 mm	
Paper Roll Size	58 (+0/-1) mm		80 +0/-1 (W) x 83 mm (Diameter)	
Paper Thickness	0.054~0.091mm		0.05~0.06 mm	
Reliability Head	100 km			
Reliability Cutter	-	1,000,000 cuts		
Power Supply	12V DC / 3.0A	24V DC / 2.5A	24V DC / 2.5A	
Interface	RS232+USB or Ethernet+USB or Parallel			
Cash Drawer Function	2 drivers (DC 12V)	2 drivers (DC 24V)	2 drivers (DC 24V)	
Cutter	Manual	Auto Cutter		
Paper roll	≤ 80mm OD thermal paper			
Environment				
Operating Temperature	0°C~45°C			
Storage Temperature	-10°C~50°C			
Operating Humidity	10%~90% RH			
Storage Humidity	10%~90% RH non-condensing			
Mechanical				
Housing Color Body	Black, White			
Housing Color Cover	-	Silver, Golden Chocolate, White		
Dimension(WxDxH)	109 x 176 x 116 mm		155 x 190 x 140 mm	
Weight (N.W.)	1.0 kg		1.3 kg	

• Product specification is subject to change without prior notice.

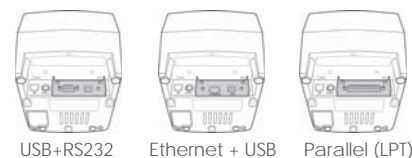
RTP-2260 Series



RTP-3280



Interface board detachable



Authorized Distributor/Reseller