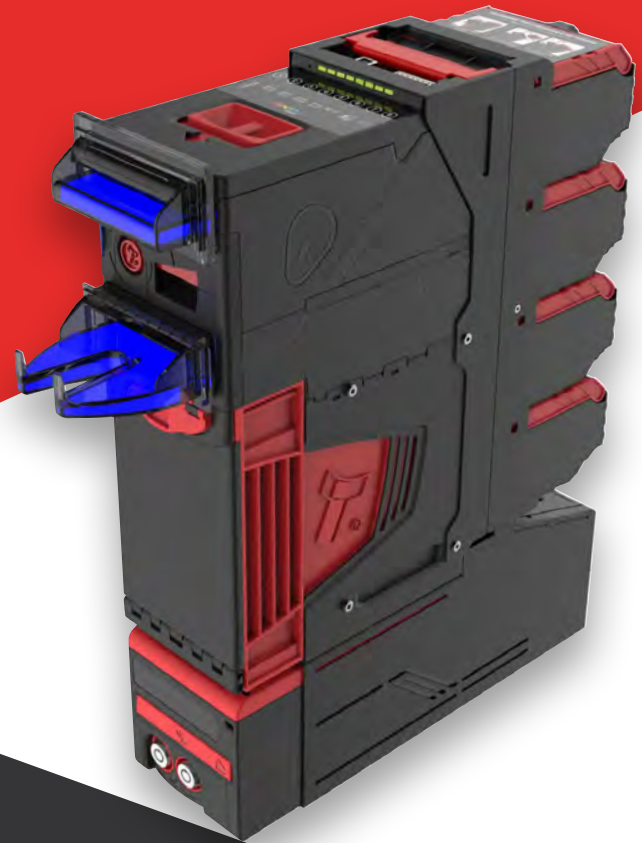


## NV4000

### Multi Bill Recycler

*“Advanced, high volume mixed bill recycler”*



- Accelerate customer throughput
- Significantly reduce expensive service calls
- Increase staff efficiencies with fewer refills



## FEATURES

- Modular design, recycle up to 420 bills of 5 denominations
- Faster bill processing, optimise transaction times
- Exceptional street grade bill first time acceptance & rejection of stained bills
- On-board diagnostics for in-house troubleshooting. No tools required to access all bill routes
- Optional 300 bill secure replenishment cassette to auto float all recycling modules or use as a high volume single denomination recycler



## BENEFITS

- Increase staff efficiencies with fewer refills
- Accelerate customer throughput & enhance experience
- Future proof your cash handling investment & protect revenue
- Significantly reduce external service calls & machine downtime
- Improve efficiency with automated float management

## Technical Specification

### Power

Requirements: 24V  
Standby: 400mA  
Running: 3A  
Peak: 7A

### Protocols

SSP

### MCBF

100,000

### Bezel

85mm width

### Bill Dimensions

*Accepts:* Width: 60-85mm  
Length: 115-165mm

*Recycles:* Width: 60-82mm

### Interfaces

USB option    Open collector    RS232

### Cashbox

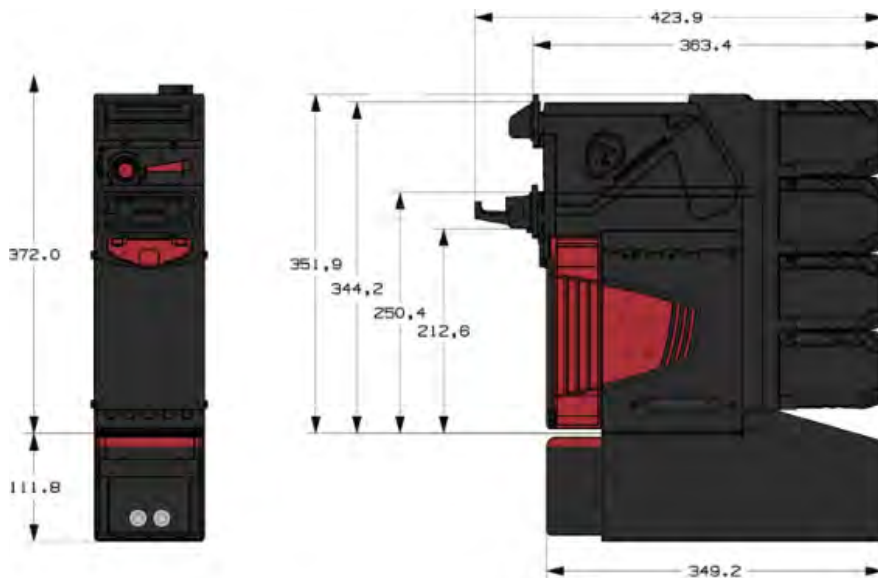
1000 bills

### Total Recycling Capacity

420 mixed bills  
(30 x 4 recycler modules,  
300 bill replenishment cassette)

### Communication

Direct USB



- Weight: 11kg



### Find Us

#### Head Office

3F., No.18, Ln.42, Minquan Rd.,  
Xindian Dist., New Taipei City 231,  
Taiwan(R.O.C)



### Telephone

+886-2-2910-6168



### Email

sales@appostar.com