



CPD Series

Customer Display

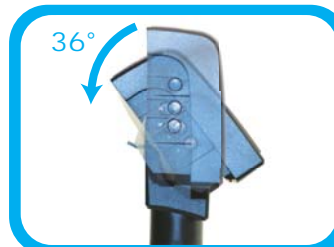
The customer pole display CPD-3000 and CPD-5000 series are born in latest design language. With its dual interface the CPD series is available in USB, serial or even exclusive USB + Serial and is highly flexible in any application.



Exclusive USB + Serial dual interface cable available



Unique 17 color eye catching LCD backlight



0°~36° viewing angle



Easy integration on Appostar POS



Multiple command sets and code pages



Low power consumption



ESC/POS and OLE POS Compatible

OPOS Driver

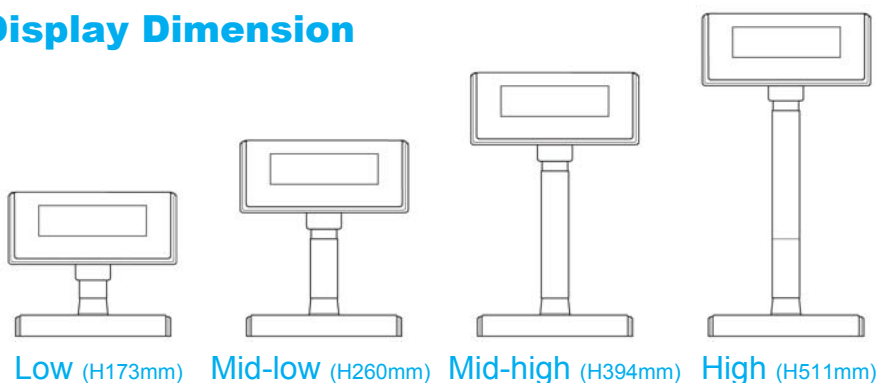


Specification

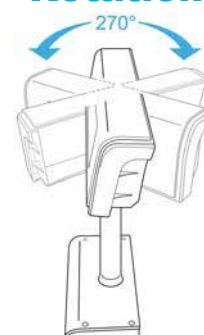
Model Name	CPD-5030	CPD-5130	CPD-3232	CPD-3432
Display Method	Mono. Liquid Crystal Display		Vacuum Fluorescent Display	
Number of Characters	30 columns x 4 / 2 lines in double height 15 columns x 4 / 2 lines in double height		40 characters (20 columns x 2 lines)	
Display Color	1.Light Orange 2.Light Blue 3.Apple Green 4.Lake Green 5.Dark Pink 6.Light Pink 7.Cyan 8.Purple 9.Green 10.Blue 11.Pink 12.Yellow 13.Orange 14.Magenta 15.Violet 16.Red 17.Pale	Blue	Blue-Green	
Brightness	100 cd/m2		700 cd/m2	500~1000 cd/m2
Character Type	I. 96 alphanumeric II. 13 sets of international character III. One set user downloadable character IV. One of the following languages is optional: ■ Traditional Chinese (BIG-5) ■ Simplified Chinese (GB2312) ■ Japanese (Shift-JIS) ■ Korean (KSC5610) ■ Thai		I. 96 alphanumeric characters II. 14 sets of international Characters: USA, France, Germany, UK, Sweden,Denmark I and II,Italy, Spain, Norway,Japan (Katakana), Slavonic,Russian and Portuguese III. One set of user downloadable characters	
Font Size	8 x 16 / 8 x 32 alphanumeric 16 x 16 / 16 x 32 multi byte characters		5 x 7 Dot Matrix 9.03 mm x 5.25 mm	
Command Set	1.BA63G 2.ESC / POS 3.WD-304		1.EPSON ESC / POS 2.ADM787 / 788(option) 3.EMAX (AEDEX) 4.UTC / S, UTC / P 5.CD5220 6.DSP-800 (option)	Command Set A: 1. EPSON ESC/POS 2. EMAX (AEDEX) 3. UTC 4. CD5220 Command Set B: 1. EPSON ESC/POS 2. DSP 800 3. ADM78x 4. EMAX (AEDEX) 5. UTC
Interface	■ RS-232:4800 / 9600 / 19200 / 38400 / 115200 bps ■ USB 2.0		■ RS-232:9600 / 19200 / 38400 / 115200 bps ■ USB 2.0	Dual Interface (USB+RS232C) / USB / RS232C
Power	DC 5V Via USB		DC 5V	
Power Consumption	3~5W		<2.5W	
MTBF	30,000 hrs		25000 hrs	
Certification	CE / FCC class A			
Rotation Angle	Vertically: 36 degree ; Horizontal: 270 degree			
Environment				
Operation Temperature	5~45°C			
Storage Temperature	-20~70°C			
Operation Humidity	15%~80% RH			
Storage Humidity	10%~90% RH			
Physical Dimension				
Head (W x D x H)	215 x 57 x 92 mm		168.7 x 32 x 79.6 mm	
Support (H x Ø)	Long: 250 x 34 mm ; Short: 117 x 34 mm			
Base (W x D x H)	200 x 120 x 27 mm			
Weight (N.W.)	0.8 kg		0.5 kg	

• Product specification is subject to change without prior notice.

Display Dimension



Rotation



Authorized Distributor/Reseller

Appostar

